

KOMATSU

D61EXi-24 **D61PXi-24**

EU Stage IV Engine

CRAWLER DOZER

PRELIMINARY



D61

ENGINE POWER

126 kW / 169 HP @ 2.200 rpm

OPERATING WEIGHT

D61EXi-24: 18.640 kg
D61PXi-24: 19.580 kg

BLADE CAPACITY

D61EXi-24: 3,4 m³
D61PXi-24: 3,8 m³

Walk-Around

OUTSTANDING PRODUCTIVITY & FUEL ECONOMY:

Less fuel consumption with new engine and drastically improved efficiency of dozer operations with intelligent Machine Control.

Powerful and Environmentally Friendly

- NEW** • Low consumption EU Stage IV engine
- NEW** • Optimised Hydrostatic Transmission (HST) control system
- NEW** • Adjustable Eco-gauge and auto idle stop
- Hydrostatic cooling fan with cleaning mode

Intelligent Machine Control

- 3D GNSS system
- Integrated & standard factory installed
- Automated operation from rough dozing to finish grade
- Highly increased efficiency



Images may display optional equipment or specifications not available in your area.

First-Class Operator Comfort

- Super-slant nose design for excellent blade visibility
- Integrated rear-view camera
- Fully adjustable air-suspended seat
- High capacity air conditioning

State-of-the-Art Controls

- Extremely maneuverable hydrostatic drive
- Variable speed selection or conventional quick shift
- Palm Command Control System (PCCS)
- Large multifunctional monitor

Optimised Work Equipment

- PAT dozer with adjustable pitch
- Multishank parallelogram ripper (EX)

Reliability & Maintenance

- Multifunctional monitor with troubleshooting function
- Sturdy, rugged design
- Low-drive "PLUS" undercarriage

KOMTRAX™

- Increased operational data and fuel savings
- Integrated communication antenna



All components for machine control are factory-installed during assembly at the Komatsu manufacturing facility, ensuring reliability and high quality.




Intuitive selectable load settings - Machine control load settings can be adjusted between presets to tailor response to material conditions.



The standard touch screen control box is factory installed and features a simple, easy-to-use operator interface.



Maximum operator comfort and an excellent view on the blade due to the super-slant nose design.



Complimentary maintenance program for customers

ENGINE

Model	Komatsu SAA6D107E-3
Type	Common rail direct injection, water-cooled, emissionised, turbocharged, after-cooled diesel
Engine power	
at rated engine speed	2.200 rpm
ISO 14396	126 kW/169 HP
ISO 9249 (net engine power)	125 kW/168 HP
No. of cylinders	6
Bore x stroke	107 x 124 mm
Displacement	6,69 l
Fan drive type	Hydraulic, reversible
Engine emissions	Fully complies with EU Stage IV exhaust emission regulations

UNDERCARRIAGE

Suspension	Oscillating equaliser bar and pivot shaft
Track roller frame	Monocoque, large section, durable construction
Min. turning radius	
D61EXi-24	2,1 m
D61PXi-24	2,3 m

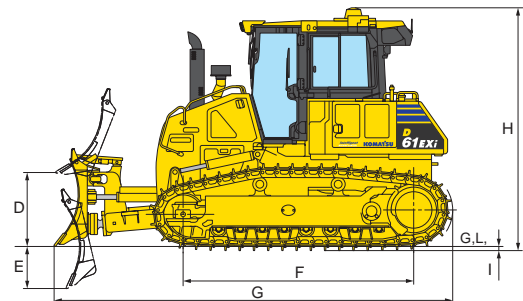
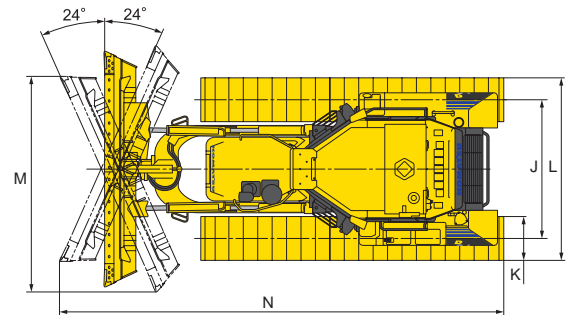
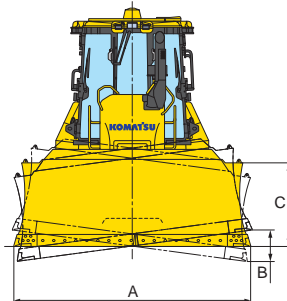
HYDROSTATIC TRANSMISSION (HST)

Speed ranges (forwards/backwards)	3/3
Max. travel speeds in variable mode (forwards/backwards)	0 - 9,0 km/h

DIMENSIONS

	D61EXi-24	D61PXi-24
A	3.250 mm	3.860 mm
B	435 mm	515 mm
C	1.195 mm	1.155 mm
D	1.025 mm	1.025 mm
E	580 mm	580 mm
F	3.165 mm	3.165 mm
G	5.480 mm	5.480 mm
H	3.340 mm	3.340 mm
I	57.5 mm	57.5 mm
J	1.900 mm	2.130 mm
K	600 mm	860 mm
L	2.500 mm	2.990 mm
M	2.980 mm	3.530 mm
N	6.100 mm	6.220 mm

Ground clearance: 390 mm



DOZER EQUIPMENT

	Overall length with dozer	Blade width x height	Maximum lift above ground	Maximum drop below ground	Maximum tilt adjustment	Additional weight
3,4 m³ PAT blade (EXi)	5.480 mm	3.250 mm x 1.195 mm	1.025 mm	580 mm	435 mm	0 kg
3,8 m³ PAT blade (std. PX, opt. EXi)	5.480 mm	3.860 mm x 1.155 mm	1.025 mm	580 mm	515 mm	0 kg
3,8 m³ foldable PAT blade (PXi)*	5.480 mm	3.860 mm x 1.155 mm Folding width: 2.960 mm	1.025 mm	580 mm	515 mm	+ 270 kg

Blade capacities are based on the SAE recommended practice J1265.

* Applicable only to light duty jobs.