

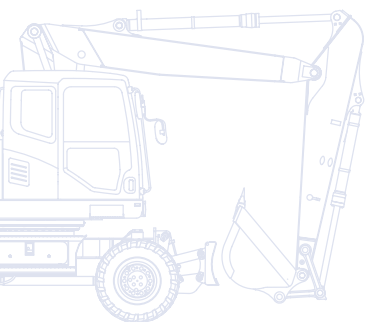
KOMATSU

PRELIMINARY

PW
160



Hydraulic Wheeled Excavator **PW160-10**



ENGINE POWER
110 kW / 148 HP @ 2.000 rpm

OPERATING WEIGHT
16.330 - 17.750 kg

BUCKET CAPACITY
max. 1,13 m³

POWERFUL EU STAGE IIIB ENGINE UP TO 8% LESS FUEL CONSUMPTION

State-of-the-art controls

- 6 selectable working modes with new fine control function as standard
- Proportional controls for attachments
- Easy operation
- Flexible and versatile

Total versatility

- Ideal for a wide range of applications
- Additional hydraulic circuit
- Available in different configurations

Powerful and environmentally friendly

- New - Low consumption EU Stage IIIB engine
- New - Improved hydraulic technology
- New - “Cartidge-type” main control valve, for enhanced durability
- Excellent travel performance
- High lift capacity



Complimentary maintenance program for customers





First-class operator comfort

- Wide spacious cab
- Improved widescreen TFT monitor
- New - Height-adjustable steering column
- Air-suspended, heated seat
- Automatic climate control

Easy maintenance

- New - Auto shut-off refuelling pump
- New - Large toolboxes
- New - Straight ladder for service access
- Easy radiator access
- Centralised greasing system



New Komatsu SAA4D107E-2 engine fully complies with EU Stage IIIB, providing high levels of performance and efficiency in all applications.



Features like ECO-gauge, a fuel consumption gauge and idle caution all assist to further reduce fuel consumption.



New ergonomically designed switches and a height-adjustable steering column further enhance operator comfort.



A new, straight service access ladder, newly designed, large tool boxes and a separate compartment for the refueling pump.



Komatsu Wireless Monitoring System

Hydraulic Wheeled Excavator

PW160-10

ENGINE

Model Komatsu SAA4D107E-2
 Type Common rail direct injection, water-cooled, emissionised, turbocharged, after-cooled diesel
 Engine power
 at rated engine speed 2.000 rpm
 ISO 14396 110 kW / 148 HP
 ISO 9249 (net engine power) 104 kW / 139 HP
 No. of cylinders 4
 Bore x stroke 107 x 124 mm
 Displacement 4,5 l

ENVIRONMENT

Engine emissions Fully complies with EU Stage IIIB and EPA Tier 4 interim exhaust emission regulations
 Noise levels
 LwA external 102 dB(A) (2000/14/EC Stage II)
 LpA operator ear 71 dB(A) (ISO 6396 dynamic test)
 Vibration levels (EN 12096:1997)*
 Hand/arm $\leq 2,5 \text{ m/s}^2$ (uncertainty $K = 0,495 \text{ m/s}^2$)
 Body $\leq 0,5 \text{ m/s}^2$ (uncertainty $K = 0,16 \text{ m/s}^2$)
 * for the purpose of risk assessment under directive 2002/44/EC, please refer to ISO/TR 25398:2006.

HYDRAULIC SYSTEM

Type HydrauMind. Closed-centre system with load sensing and pressure compensation valves
 Additional circuits Depending on the specification up to 2 additional proportional control & quick coupler circuits can be installed
 Main pump Variable displacement piston pump supplying boom, arm, bucket, swing and travel circuits
 Maximum pump flow 308 l/min

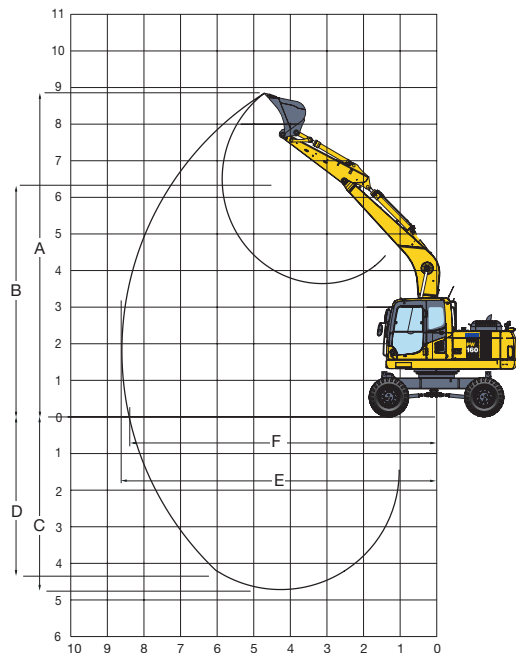
STEERING SYSTEM

Steering control Hydraulic steering system supplied from a separate gear pump and controlled through LS orbitrol & priority valves
 Minimum turning radius 6.790 mm (to center of outer wheel)

SWING SYSTEM

Swing speed 0 - 11 rpm
 Swing torque 41 kNm

WORKING RANGE



| MONO BOOM WITH ARM LENGTH: | | 2,1 m | 2,5 m | 3,0 m |
|----------------------------|--|----------|----------|----------|
| A | Max. digging height | 8.730 mm | 8.930 mm | 9.285 mm |
| B | Max. dumping height | 6.335 mm | 6.555 mm | 6.911 mm |
| C | Max. digging depth | 4.925 mm | 5.320 mm | 5.600 mm |
| D | Max. digging depth of cut for 2,44 m level | 4.077 mm | 4.477 mm | 4.977 mm |
| E | Max. digging reach | 8.640 mm | 9.070 mm | 9.485 mm |
| F | Max. digging reach at ground level | 8.620 mm | 8.885 mm | 9.315 mm |
| | Min. swing radius | 3.205 mm | 3.160 mm | 3.180 mm |

| TWO-PIECE BOOM WITH ARM LENGTH: | | 2,1 m | 2,5 m | 3,0 m |
|---------------------------------|--|----------|----------|-----------|
| A | Max. digging height | 9.611 mm | 9.910 mm | 10.337 mm |
| B | Max. dumping height | 7.135 mm | 7.433 mm | 7.860 mm |
| C | Max. digging depth | 4.968 mm | 5.365 mm | 5.861 mm |
| D | Max. digging depth of cut for 2,44 m level | 4.660 mm | 5.062 mm | 5.562 mm |
| E | Max. digging reach | 8.533 mm | 8.905 mm | 9.397 mm |
| F | Max. digging reach at ground level | 8.343 mm | 8.715 mm | 9.224 mm |
| | Min. swing radius | 2.330 mm | 2.423 mm | 2.979 mm |